

STANDARD DEPARTURE CHART -INSTRUMENT

RJAA / NARITA INTL

RNAV SID

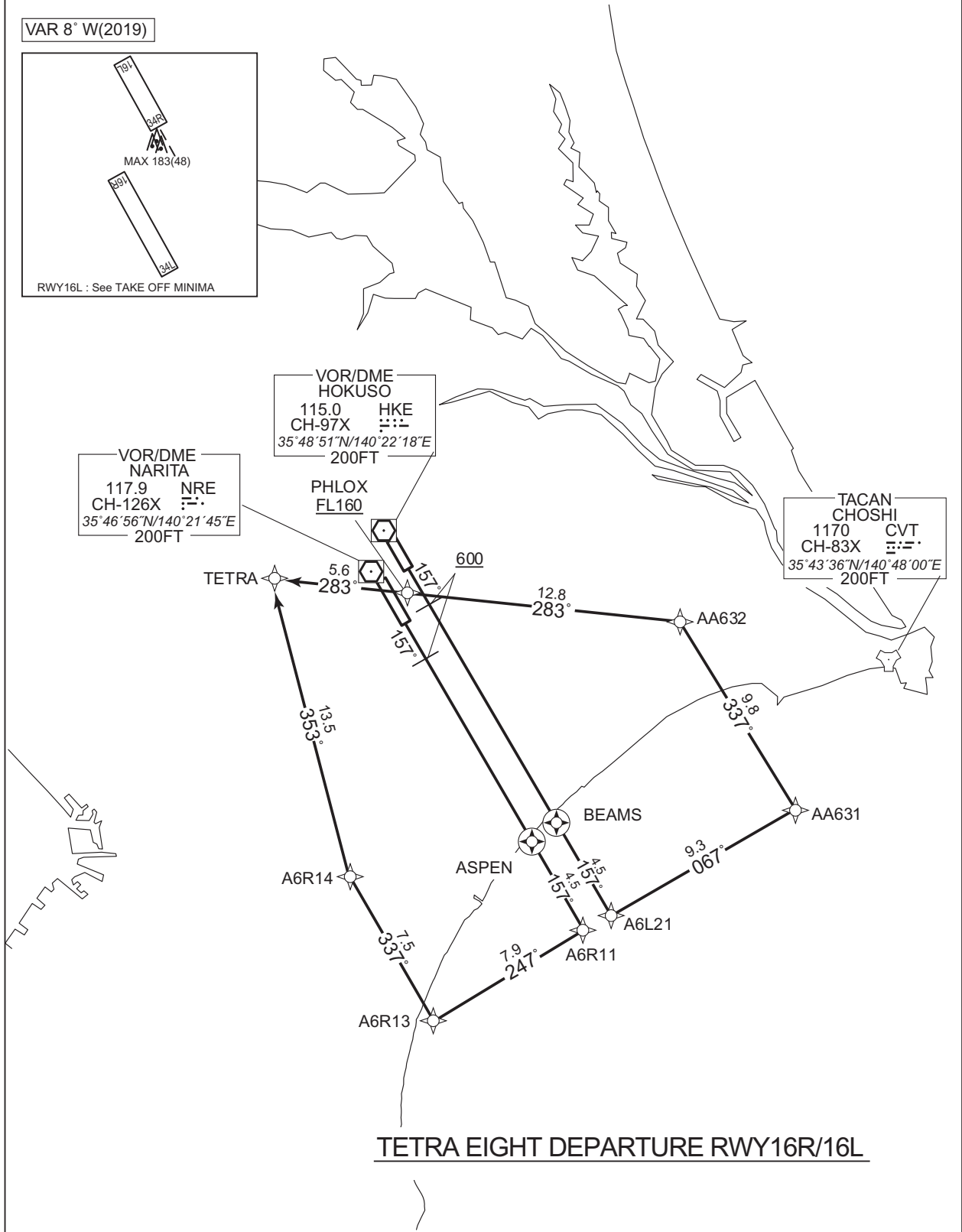
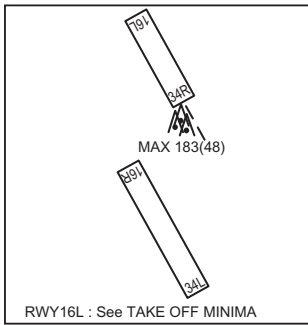
TETRA EIGHT DEPARTURE

RNAV1

Note 1) DME/DME/IRU or GNSS required.
 ※The aircraft equipped with only DME/DME/IRU must be able to update its position without delay at the starting point of take-off rolling.
 2) RADAR service required.

Critical DME	RWY16R : TLD DER - 1.3NM FM DER RWY16L : TLD DER - 3.4NM FM DER
DME GAP	RWY34L : DER - 1.3NM FM DER
Inappropriate NavAids	See AD1.1.6.10.3. Inappropriate NAVAIIDs for RNAV1

VAR 8° W(2019)



TETRA EIGHT DEPARTURE RWY16R/16L

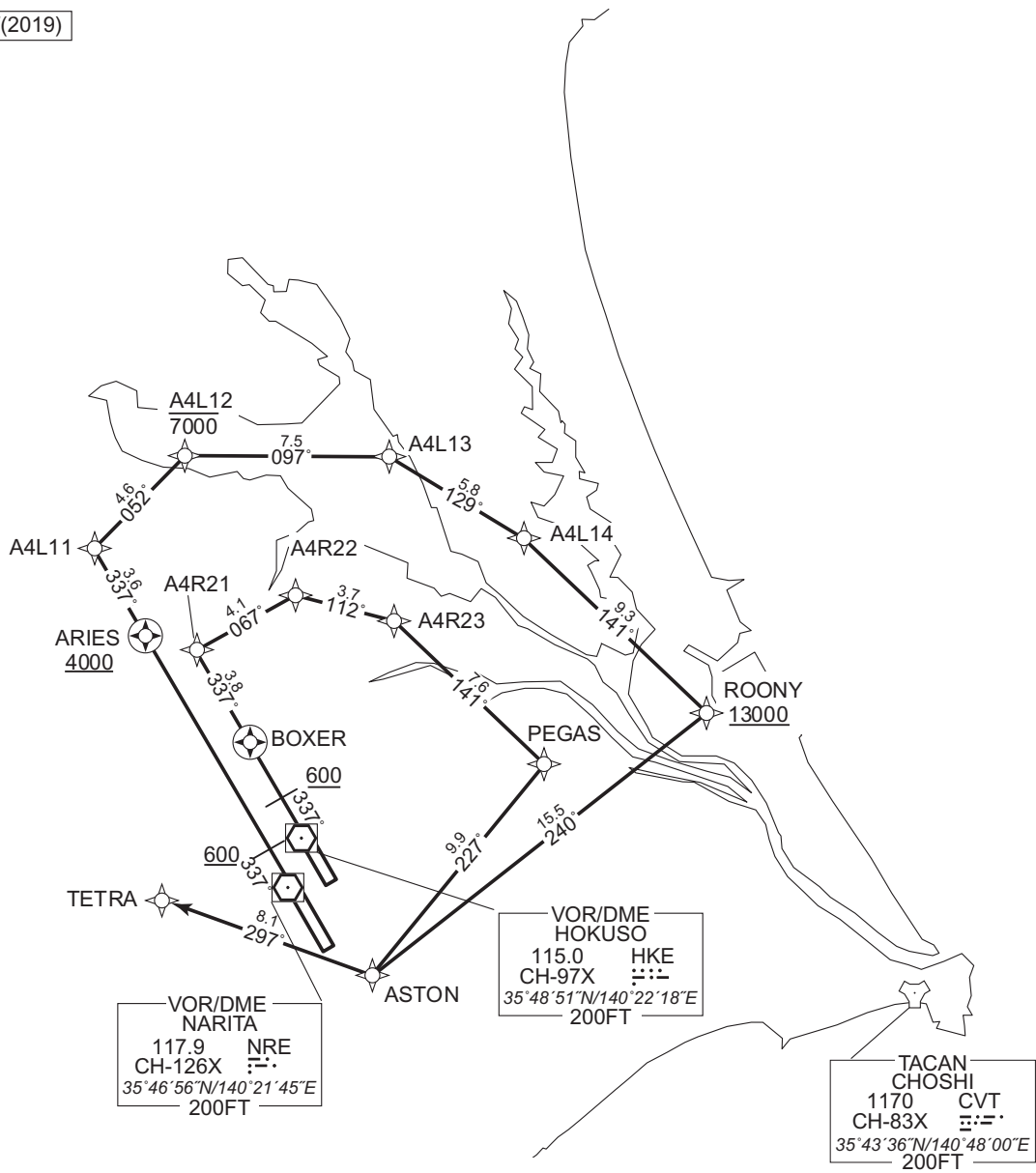
CHANGE : PROC renamed

STANDARD DEPARTURE CHART -INSTRUMENT

RJAA / NARITA INTL

RNAV SID

VAR 8° W(2019)



TETRA EIGHT DEPARTURE RWY34L/34R

CHANGE : ALT Restriction on A4R23. PROC renamed.

STANDARD DEPARTURE CHART -INSTRUMENT

RJAA / NARITA INTL

RNAV SID

TETRA EIGHT DEPARTURE

RWY16R : Climb on HDG157° at or above 600FT, direct to ASPEN, to A6R11, to A6R13, to A6R14, to TETRA.

RWY16L : Climb on HDG157° at or above 600FT, direct to BEAMS, to A6L21, to AA631, to AA632, to PHLOX at or above FL160, to TETRA.

RWY34L : Climb on HDG337° at or above 600FT, direct to ARIES at or above 4000FT, to A4L11, to A4L12 at or below 7000FT, to A4L13, to A4L14, to ROONY at or above 13000FT, to ASTON, to TETRA.

RWY34R : Climb on HDG337° at or above 600FT, direct to BOXER, to A4R21, to A4R22, to A4R23, to PEGAS, to ASTON, to TETRA.

RWY16R *MUST be used for database coding.

Serial Number	Path Descriptor*	Waypoint Identifier	Fly Over	Course °M(^T)	Magnetic Variation	Distance (NM)	Turn Direction	Altitude (FT)	Speed (KIAS)	Vertical Angle	Navigation Specification
001	VA	-	-	157 (149.6)	-7.5	-	-	+600	-	-	RNAV1
002	DF	ASPEN	Y	-	-7.5	-	-	-	-	-	RNAV1
003	TF	A6R11	-	157 (149.7)	-7.5	4.5	-	-	-	-	RNAV1
004	TF	A6R13	-	247 (239.5)	-7.5	7.9	-	-	-	-	RNAV1
005	TF	A6R14	-	337 (329.6)	-7.5	7.5	-	-	-	-	RNAV1
006	TF	TETRA	-	353 (345.1)	-7.5	13.5	-	-	-	-	RNAV1

RWY16L *MUST be used for database coding.

Serial Number	Path Descriptor*	Waypoint Identifier	Fly Over	Course °M(^T)	Magnetic Variation	Distance (NM)	Turn Direction	Altitude (FT)	Speed (KIAS)	Vertical Angle	Navigation Specification
001	VA	-	-	157 (149.6)	-7.5	-	-	+600	-	-	RNAV1
002	DF	BEAMS	Y	-	-7.5	-	-	-	-	-	RNAV1
003	TF	A6L21	-	157 (149.7)	-7.5	4.5	-	-	-	-	RNAV1
004	TF	AA631	-	067 (059.5)	-7.5	9.3	-	-	-	-	RNAV1
005	TF	AA632	-	337 (329.8)	-7.5	9.8	-	-	-	-	RNAV1
006	TF	PHLOX	-	283 (275.3)	-7.5	12.8	-	+FL160	-	-	RNAV1
007	TF	TETRA	-	283 (275.1)	-7.5	5.6	-	-	-	-	RNAV1

CHANGE : ALT Restriction on A4R23. PROC renamed.

STANDARD DEPARTURE CHART -INSTRUMENT

RJAA / NARITA INTL

RNAV SID

RWY34L *MUST be used for database coding.

Serial Number	Path Descriptor*	Waypoint Identifier	Fly Over	Course °M(°T)	Magnetic Variation	Distance (NM)	Turn Direction	Altitude (FT)	Speed (KIAS)	Vertical Angle	Navigation Specification
001	VA	—	—	337 (329.6)	-7.5	—	—	+600	—	—	RNAV1
002	DF	ARIES	Y	—	-7.5	—	—	+4000	—	—	RNAV1
003	TF	A4L11	—	337 (329.5)	-7.5	3.6	—	—	—	—	RNAV1
004	TF	A4L12	—	052 (044.3)	-7.5	4.6	—	-7000	—	—	RNAV1
005	TF	A4L13	—	097 (089.4)	-7.5	7.5	—	—	—	—	RNAV1
006	TF	A4L14	—	129 (121.2)	-7.5	5.8	—	—	—	—	RNAV1
007	TF	ROONY	—	141 (133.2)	-7.5	9.3	—	+13000	—	—	RNAV1
008	TF	ASTON	—	240 (232.1)	-7.5	15.5	—	—	—	—	RNAV1
009	TF	TETRA	—	297 (289.5)	-7.5	8.1	—	—	—	—	RNAV1

RWY34R *MUST be used for database coding.

Serial Number	Path Descriptor*	Waypoint Identifier	Fly Over	Course °M(°T)	Magnetic Variation	Distance (NM)	Turn Direction	Altitude (FT)	Speed (KIAS)	Vertical Angle	Navigation Specification
001	VA	—	—	337 (329.6)	-7.5	—	—	+600	—	—	RNAV1
002	DF	BOXER	Y	—	-7.5	—	—	—	—	—	RNAV1
003	TF	A4R21	—	337 (329.6)	-7.5	3.8	—	—	—	—	RNAV1
004	TF	A4R22	—	067 (059.3)	-7.5	4.1	—	—	—	—	RNAV1
005	TF	A4R23	—	112 (104.6)	-7.5	3.7	—	—	—	—	RNAV1
006	TF	PEGAS	—	141 (133.4)	-7.5	7.6	—	—	—	—	RNAV1
007	TF	ASTON	—	227 (219.2)	-7.5	9.9	—	—	—	—	RNAV1
008	TF	TETRA	—	297 (289.5)	-7.5	8.1	—	—	—	—	RNAV1

CHANGE : ALT Restriction on A4R23