

STANDARD DEPARTURE CHART -INSTRUMENT

RJAA / NARITA INTL

SID

AKAGI THREE DEPARTURE

RWY16R : Climb via NRE R157 to 14.0DME, turn right,...

RWY16L : Climb via HKE R157 to 15.4DME, turn right,...

... direct to NRE VOR/DME, via NRE R326 to AKAGI via LOPIA and YAOKO.

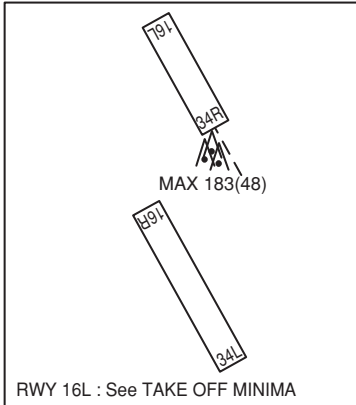
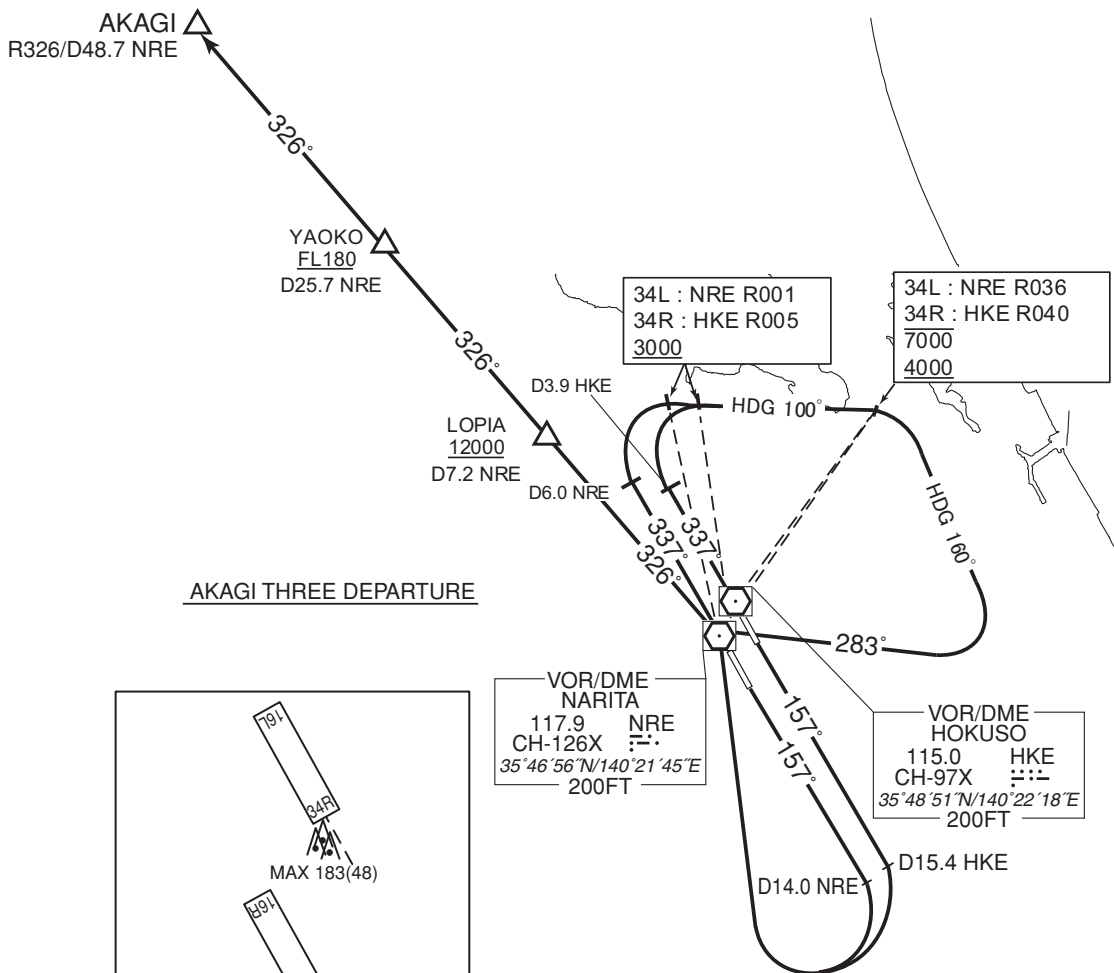
Cross LOPIA at or above 12000FT, cross YAOKO at or above FL180.

RWY34L : Climb via NRE R337 to 6.0DME, turn right HDG100° until crossing NRE R036,...

RWY34R : Climb via HKE R337 to 3.9DME, turn right HDG100° until crossing HKE R040,...

...turn right HDG160° to intercept and proceed via NRE R103 to NRE VOR/DME, via NRE R326 to AKAGI via LOPIA and YAOKO.

Cross NRE R001(RWY34L)/HKE R005(RWY34R) at or above 3000FT, cross NRE R036(RWY34L)/HKE R040(RWY34R) between 4000FT and 7000FT, cross LOPIA at or above 12000FT, cross YAOKO at or above FL180.



CHANGE: Marginal note (Title)